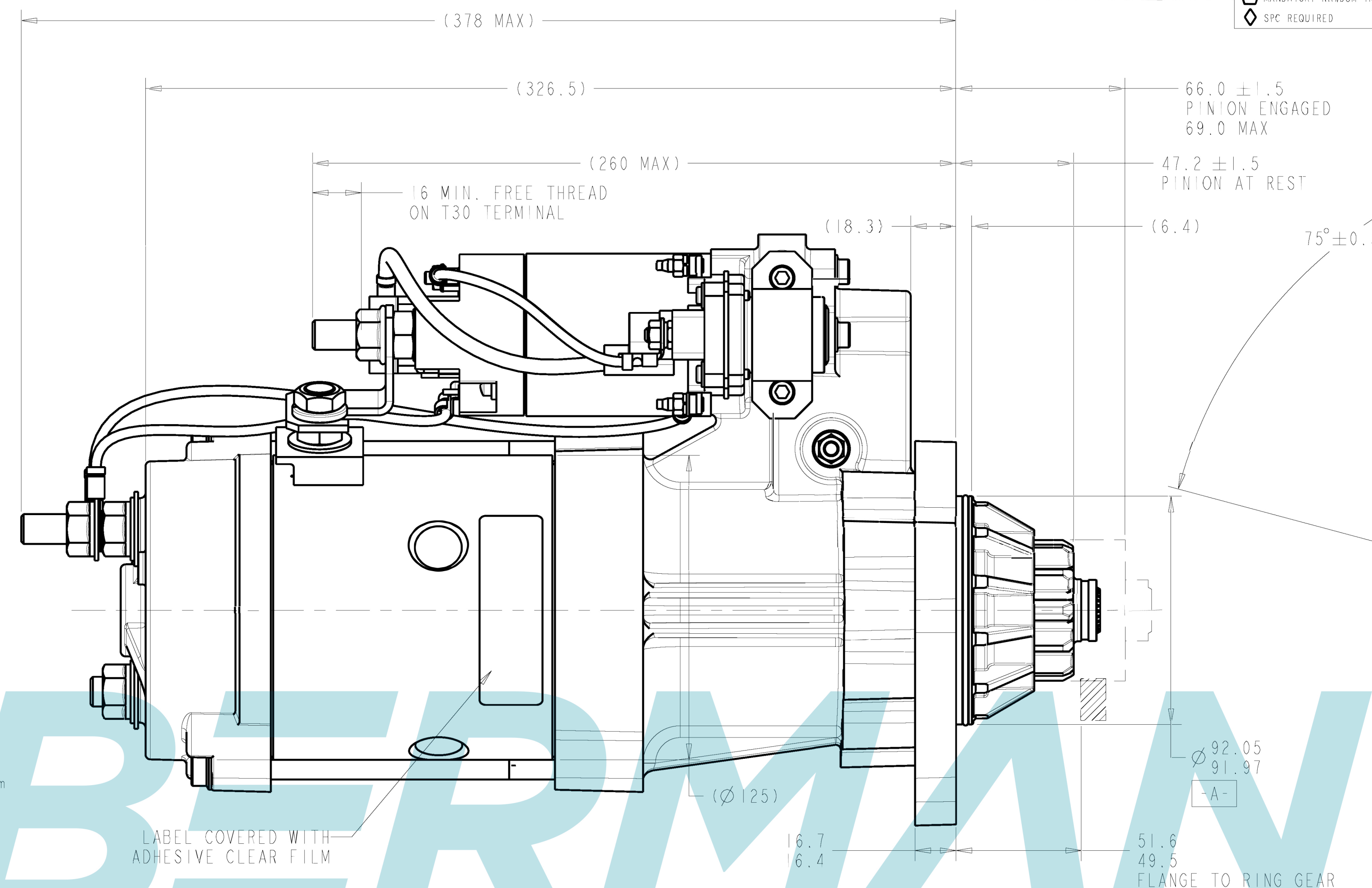
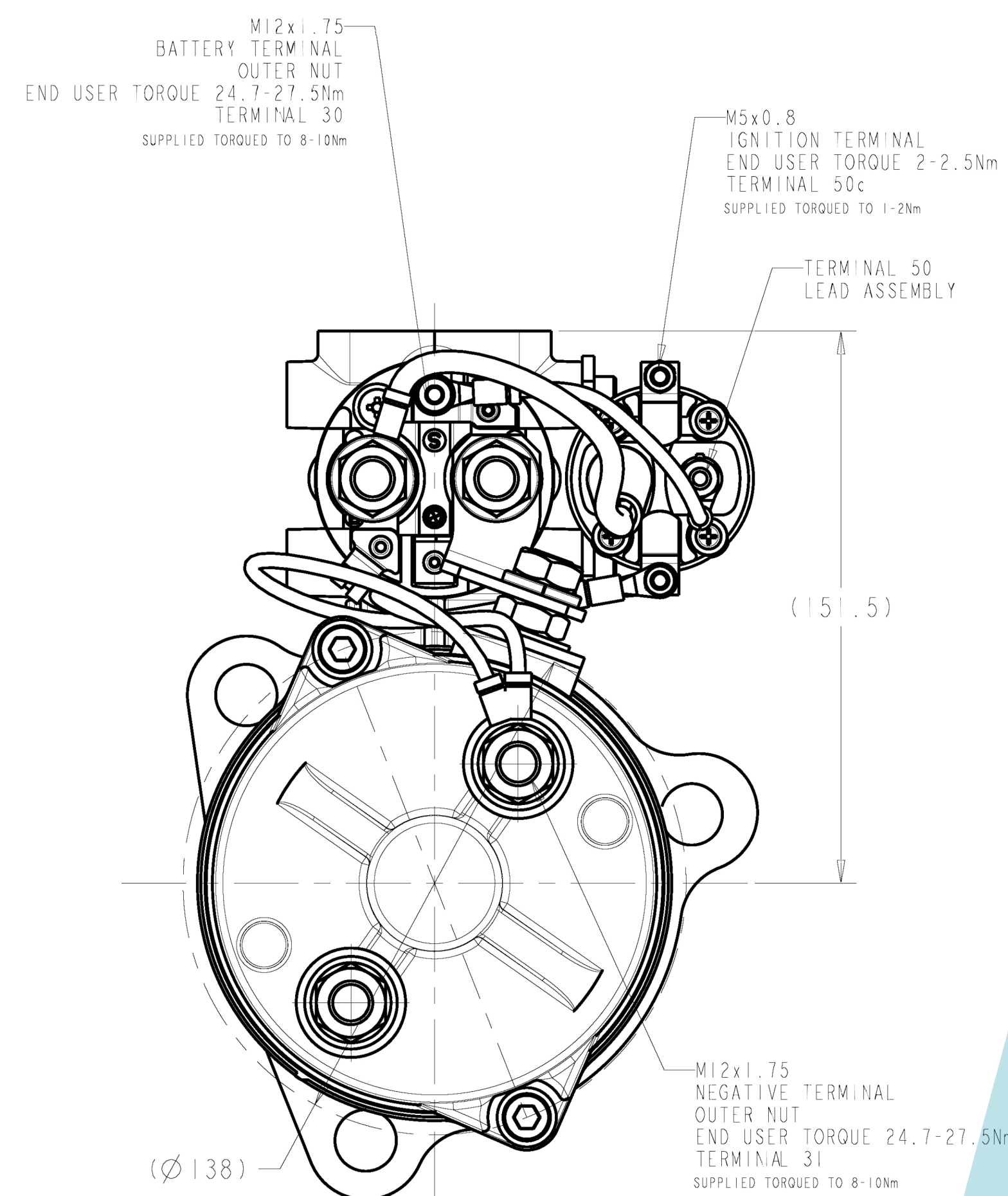


METRIC - mm [inch]

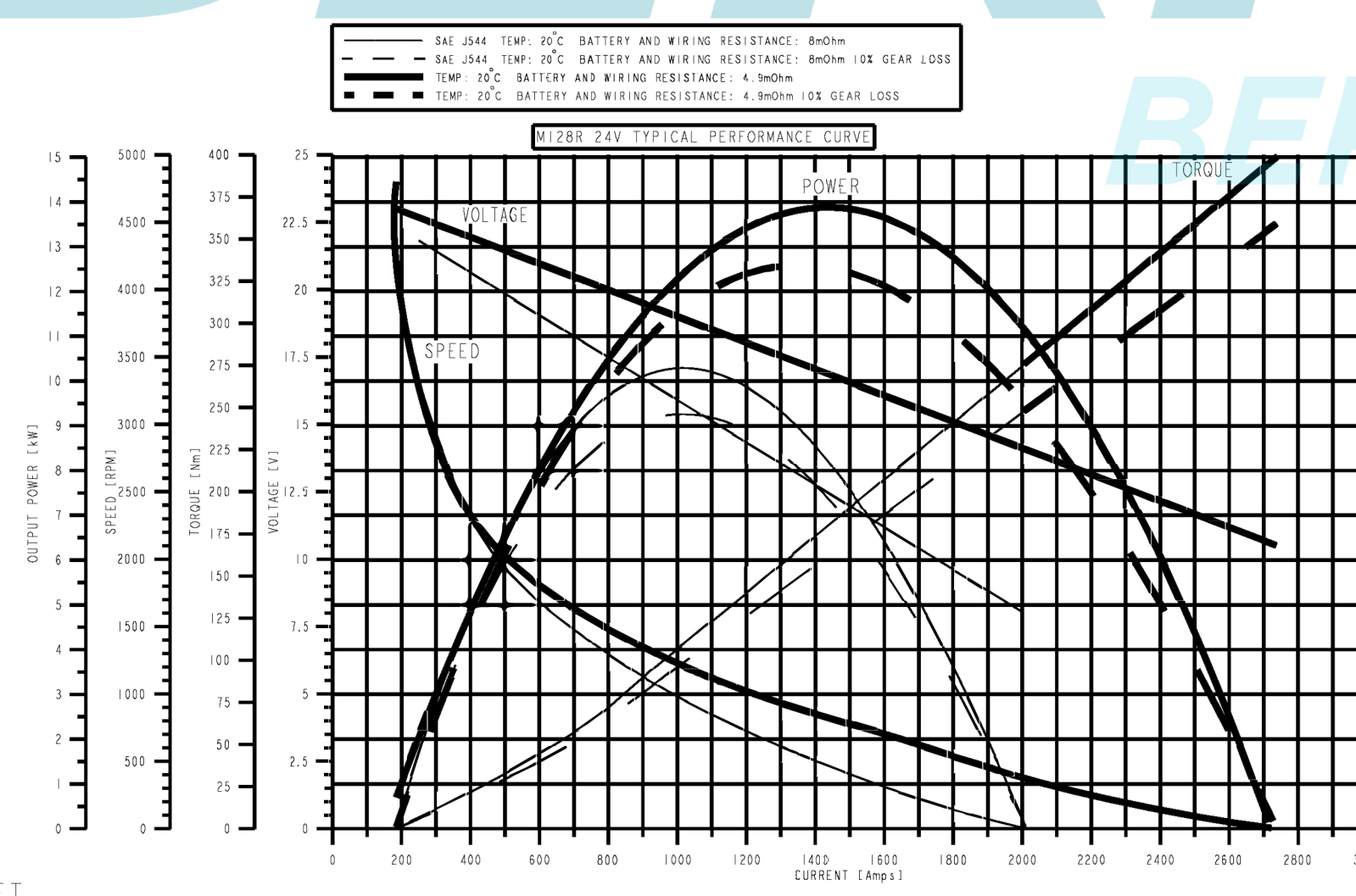
CRITICAL CHARACTERISTICS  
 MANDATORY RANDOM INSPECTION  
 SPC REQUIRED

REVISIONS		DATE	APPROVED
ZONE	REV	DESCRIPTION	

PRELIMINARY

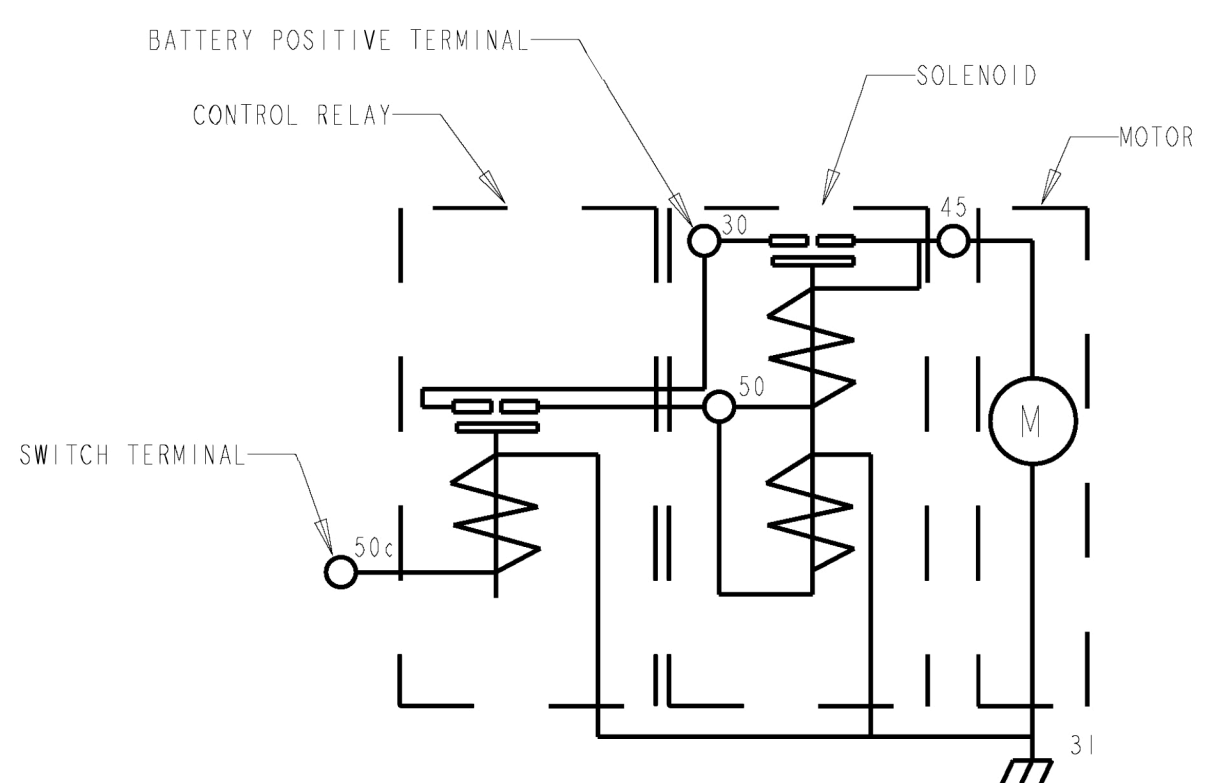


PINION DATA	
MODULE	6/8
NUMBER OF TEETH	11
PRESSURE ANGLE	20°
TIP DIAMETER	Ø 56.65-Ø 56.90
ROOT DIAMETER	Ø 42.5-Ø 42.9
PITCH DIAMETER	Ø 46.56
SPAN OVER 2 TEETH	20.58-20.68
MODIFICATION COEFFICIENT	0.44
SURFACE HARDNESS	HRC58-63



FREE LOAD			LOAD PERFORMANCE 1				LOAD PERFORMANCE 2			
VOLT (V)	CURRENT (A)	SPEED (rpm)	VOLT (V)	CURRENT (A)	SPEED (rpm)	TORQUE (Nm)	VOLT (V)	CURRENT (A)	SPEED (rpm)	TORQUE (Nm)
24	≤ 210	≥ 3600	18.5	≤ 800	≥ 1300	≥ 50	16	≤ 1100	≥ 750	≥ 100
SOLENOID PERFORMANCE (20°C) (FOR REFERENCE ONLY)			OPERATING VOLTAGE (V)		SOLENOID RESISTANCE (20°C)		PULL IN COIL 0.0738 ± 5% Ω			
			DROP OUT VOLTAGE (V)				HOLD IN COIL 1.3 ± 5% Ω			

RECOMMENDED SINGLE CONFIGURATION WIRING DIAGRAM



- NOTES:
- SERIES: M128R3840SET
  - SYSTEM VOLT: 24V INSULATED RETURN
  - THE FITTING OF A STARTER LOCKOUT UNIT IS RECOMMENDED TO PREVENT RUNNING
  - MOUNTING: SAE J542 TYPE 3
  - ENGAGEMENT SYSTEM: AUXILIARY ROTATION SYSTEM/ SOFT START
  - OIL SEALED FOR USE IN A WET TYPE CLUTCH
  - CLOCKWISE ROTATION WHEN VIEWED ON DRIVE END
  - RECOMMENDED TIGHTENING TORQUE FOR OUTER TERMINAL NUTS:  
 (HOLD INNER NUT WITH SPANNER)  
 M12X1.75 30 TERMINAL (BATTERY TERMINAL) 24.7-27.5Nm  
 AND 31 TERMINAL (NEGATIVE TERMINAL) 24.7-27.5Nm  
 M5x0.8 50c TERMINAL (IGNITION TERMINAL) 2-2.5Nm
  - MASS : 17.5Kg
  - "( )" DIMENSIONS ARE FOR REF
  - OPERATING TEMPERATURE: -40°C -105°C
  - THIS OUTLINE DRAWING SHOULD BE READ IN CONJUNCTION WITH PRODUCT APPLICATION SPECIFICATION: PACU K48-E371
  - SEALING RATING: IP67
  - SOLENOID MUST BE 5° ABOVE HORIZONTAL
  - CE HOUSING INTERNALLY PROTECTED WITH AN ANTI-TRACKING VARNISH
  - F&F ASSEMBLY PROTECTED WITH ADDITIONAL FLOOD VARNISHING
  - 500VAC HI-POT TESTING, MAX 5mA LEAKAGE CURRENT.

THIS PRINT SUPERSEDES ALL PREVIOUS REVISIONS. IT IS CURRENT WHEN ISSUED BY PRESTOLITE ENGINEERING. IT IS THE USER'S RESPONSIBILITY TO CONFIRM THAT IT IS CURRENT AFTER THAT. INTERPRET DRAWING ACCORDING TO ANSI Y14.5M-1982. DO NOT SCALE - WORK TO DIMENSIONS. UNLESS OTHERWISE SPECIFIED, DIMENSIONAL TOLERANCES ARE:  
 X±1, X.X±0.3, X.XX±0.15, ANGLES±0.5°

© COPYRIGHT 2020 PRESTOLITE ELECTRIC, INCORPORATED. ALL RIGHTS RESERVED. DATA CONTAINED HEREIN IS PROPRIETARY TO PRESTOLITE ELECTRIC, INCORPORATED AND MAY NOT BE USED, RELEASED, DISCLOSED, REPRODUCED, MODIFIED, PERFORMED, OR DISPLAYED WITHOUT THE PRIOR WRITTEN APPROVAL OF PRESTOLITE ELECTRIC, INCORPORATED. UNITED STATES GOVERNMENT LICENSE RIGHTS ARE LIMITED TO THOSE MANDATORY RIGHTS IDENTIFIED IN DFARS 252.227-7015(C)

PRESTOLITE ELECTRIC, INC.  
 400 MAIN STREET  
 ARCADE, N.Y. 14009

**M128 OUTLINE**

SCALE 0.250

SHEET 1 OF 1