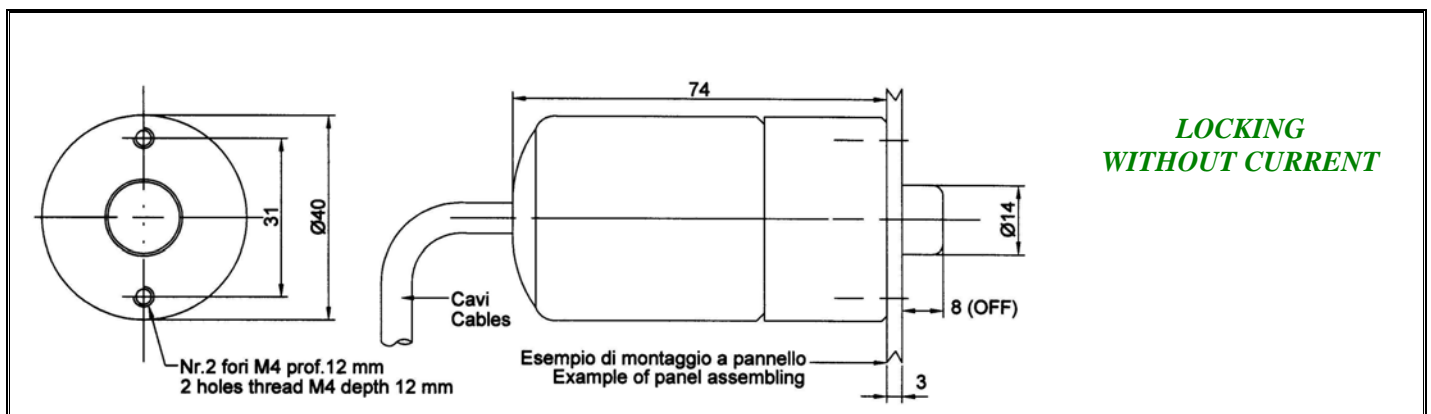


## TYPE N N021C ELECTROMAGNETIC BOLT

PERFECT FOR THE LOCKING OF DOORS AND MACHINE TOOL GUARDS  
VOLTAGE 12 VDC AND 24 VDC



### TECHNICAL SPECIFICATIONS

Type	Voltage	Current	Stroke	Radial strength	Duty (ED)	Weight
N021C	12-24 V	0.9A @ 12V 1.8 A @ 24V	8 mm	500 N	100 % @ 12V 20 % @ 24V	0.4 Kg

IP65 watertight, suitable for moisture conditions

Assembling by frontal screw

Suitable for embedding assembly

Stainless steel pawl

Available with Superseal sealed connector

Ambient temperature: - 40°C ÷ +100°C