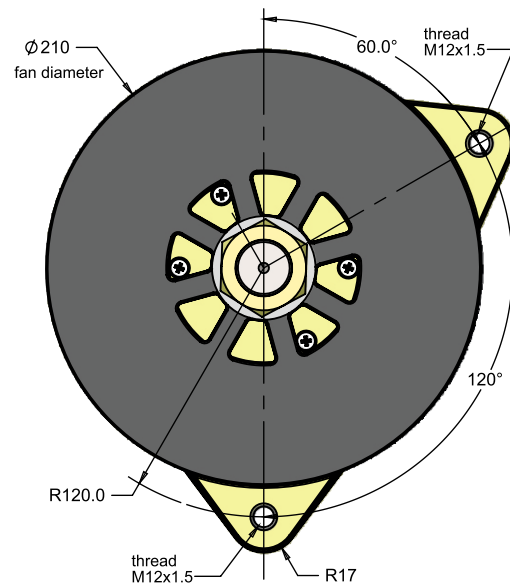
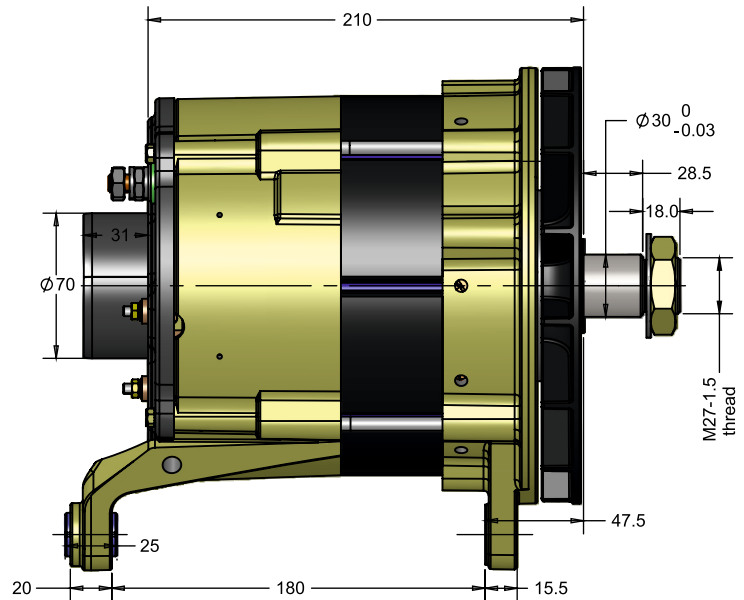
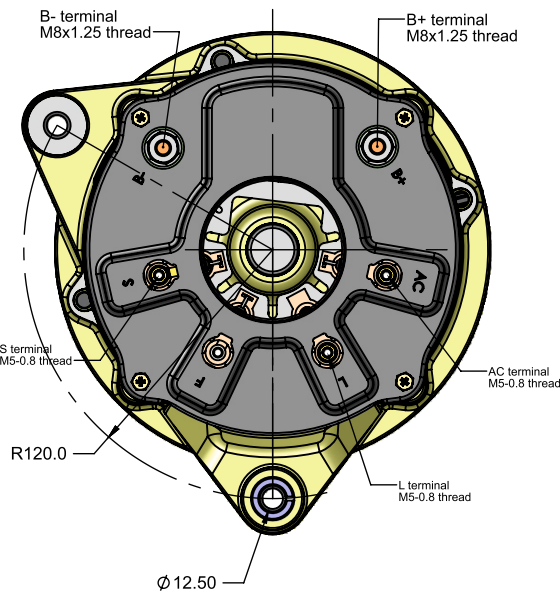


DELSTAR

T1 style, R60° | SERIES 180

100-18262

28 Volts 250 Amps



APPLICATION DATA

- System voltage: 28V.
- Regulator: internal
- Polarity: insulated ground.
- Alternator rated output: 250A @ 6000 rpm / SAE J56 standard.
- Max. speed: 8000 rpm.
- Rotation: bidirectional.
- Efficiency: 78 %
- Mounting: T1 style, 7 inch hinge mount.
- Alternator mass: 22 Kg.
- Rotor and fan moment of inertia: 178 Kg*sqcm.
- Finish: commercial, E-coat paint.
- Temperature range : -40 deg.C to 120 deg.C

UNLESS OTHERWISE SPECIFIED
ALL DIM. ARE IN MM
DO NOT SCALE.
FLAT IS FOR REFERENCE ONLY.
TOLERANCES: XX ± .10
.X ± 0.2
X ± 0.5
HOLES:
FRACT.
ANGLES ± .5°

THIS SYMBOL REPRESENTS A CONTROL DIMENSION.

CONTROL DIMENSIONS ARE CONSIDERED TO BE A GOOD INDICATOR OF WHETHER A MANUFACTURING PROCESS IS IN CONTROL. THESE DIM. MUST HAVE A MIN Cpk OF 1.33 FOR A SAMPLE OF 31 CONSECUTIVE PIECES.

