

# DELSTAR

## HD BRUSHLESS | SERIES 180

# 100-18206,-D

## 28 Volts 300 Amps

### PRODUCT SPECIFICATIONS

<b>Part number</b>	100-18206
<b>System Voltage</b>	24V
<b>Rated Output</b>	300A
<b>Output @ 2000 rpm</b>	134A
<b>Ground</b>	Isolated
<b>Mounting</b>	J180 4" Hinge
<b>Rotation</b>	Bidirectional
<b>Temperature limits:</b>	
Low	-40°C / -40°F
High	110°C / 230°F
High	125°C / 257°F (with fresh air intake)
<b>Speed limits:</b>	8000 RPM continuous 9000 RPM intermittent
<b>Coating</b>	Corrosion-Resistant E-Coating
<b>Weight</b>	46 Lbs / 21 Kg.
<b>Regulator</b>	Integral
<b>Excitation</b>	Self-excite
<b>Indicator Light</b>	Yes
<b>Remote Sense</b>	Yes
<b>Soft Start Delay (SSD)</b>	Yes
<b>Overvoltage Shut-Down (OSD)</b>	Yes
<b>Field Short Circuit Protection</b>	Yes
<b>Load Dump Protection</b>	Yes

#### ACCESSORIES:

90° Elbow Pkg. (360° Rotatable) # 46900-1800

#### RECOMMENDED FOR:

- Utility Vehicles
- Marine
- Mining
- Industrial
- Construction



**100-18206**



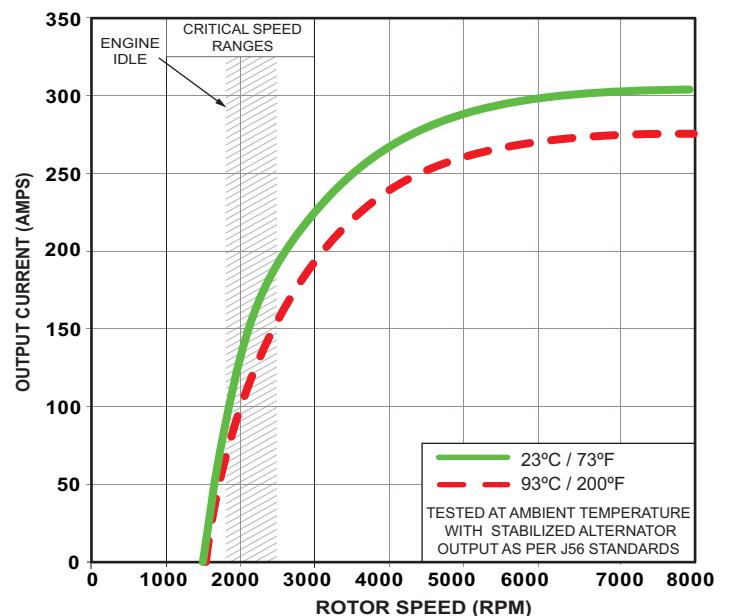
**100-18206-D**

with air intake cover & Optional 90° elbow

#### NOTE:

*This DelStar 100-18206 alternator, meets the marine requirements for Ignition Protection on gas or diesel engines of ISO 8846, USCG, stated in Title 33 CFR 183.410, SAE J1171 and International CE Standards.*

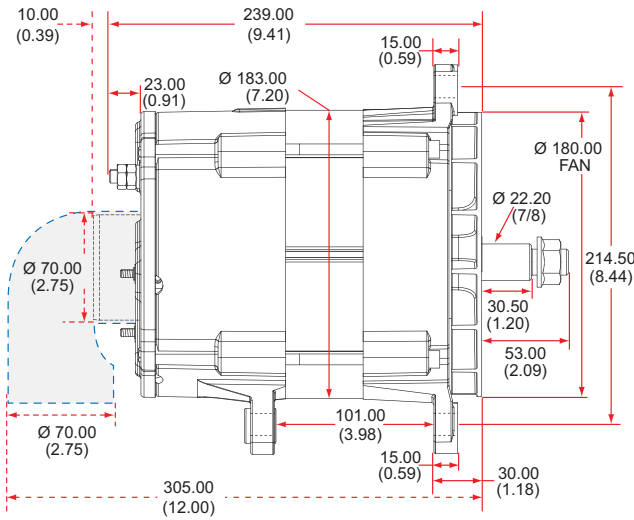
#### PERFORMANCE CURVES



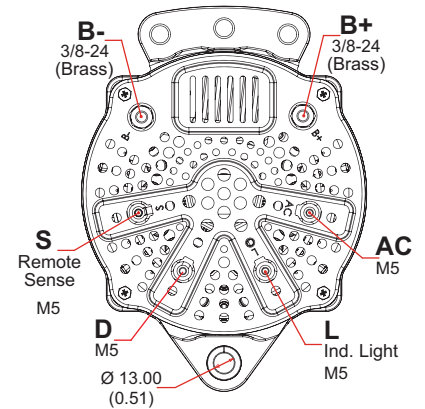
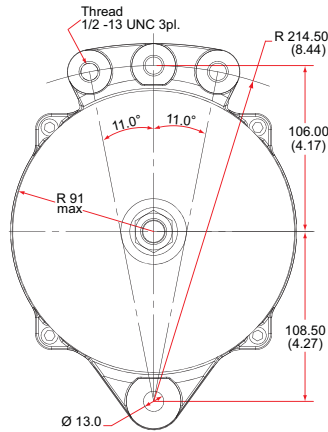
# DELSTAR

## HD BRUSHLESS | SERIES 160

### OUTLINE



### CONNECTIONS



Dimensions are listed in mm over (in)

## 100-18206

### 28 Volts 300 Amps

### ELECTRICAL SCHEMATIC

