

# DELSTAR

## HD BRUSHLESS | SERIES 300

# 1300-40231

## 28 Volts 400 Amps

### PRODUCT SPECIFICATIONS

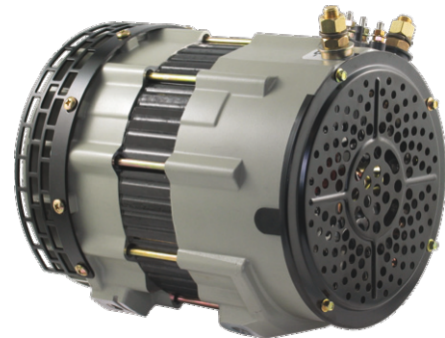
Part number	1300-40231
System Voltage	24V
Rated Output	400A
Output @ 2000 rpm	260A
Ground	Isolated
Mounting	Cradle
Rotation	Bidirectional
Temperature limits:	Low -40°C / -40°F
	High 93°C / 200°F
	High 110°C / 230°F (with fresh air intake hose)
Speed limits:	7000 RPM continuous
	8000 RPM intermittent
Coating	Corrosion-Resistant E-Coated
Weight	77 Lbs / 35 Kg.
Regulator	<b>Alpha Pro III</b> (Remote)
	<i>Please contact your <b>MASTERVOLT</b> dealer</i>

### ACCESSORIES:

- Air Intake Cover # 46400-212
- Air Precleaner # 4800-2101

### RECOMMENDED FOR:

- Coach & Transit Busses
- Marine
- Mining
- Construction
- Industrial



with optional  
air intake cover



with optional  
air precleaner

### Designed to be used with:



\*Sold separately  
Please contact your **MASTERVOLT** dealer

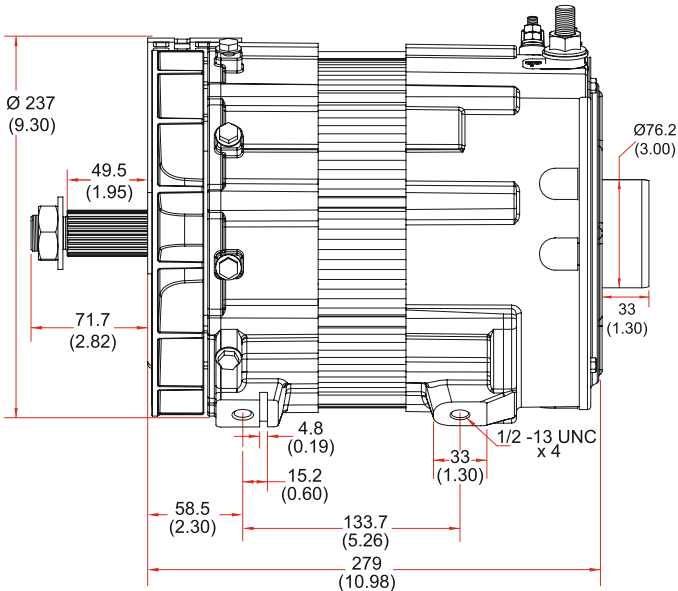
### NOTE:

*This DelStar 1300-40231 alternator, meets the marine requirements for Ignition Protection on gas or diesel engines of ISO 8846, USCG, stated in Title 33 CFR 183.410, SAE J1171 and International CE Standards.*

# DELSTAR

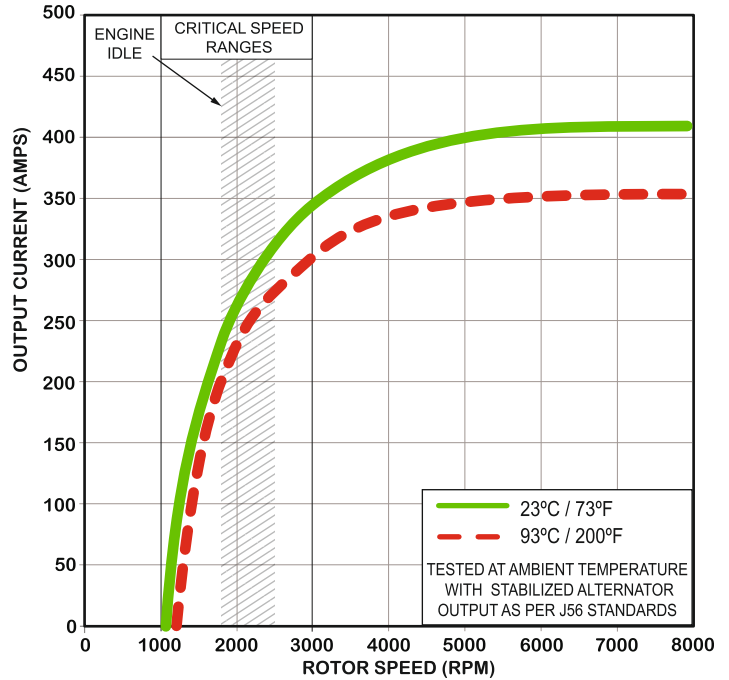
## HD BRUSHLESS | SERIES 300

### OUTLINE



Dimensions are listed in mm over (in)

### PERFORMANCE CURVES



## 1300-40231

28 Volts 400 Amps

### CONNECTIONS

