

DELSTAR

HD BRUSHLESS | SERIES 250

1250-10201

28 Volts 320 Amps

PRODUCT SPECIFICATIONS

Part number	1250-10201
System Voltage	24V
Rated Output	320A
Outout @ 2000 rpm	215A
Ground	Insulated
Mounting	J-180 4"
Rotation	Bidirectional
Temperature limits:	Low -40°C / -40°F
	High 110°C / 230°F
	High 125°C / 257°F (with fresh air intake)
Speed limits:	7000 RPM continuous
	8000 RPM intermittent
Coating	Corrosion-Resistant E-Coated
Weight	53 Lbs / 24 Kg.
Regulator	Alpha Pro III (Remote) <i>Please contact your MASTERVOLT dealer</i>

ACCESSORIES:

- 90° Elbow Pkg. (360° Rotatable) # 46900-1800
- Air Intake Cover # 46400-202

RECOMMENDED FOR:

- Coach & Transit Busses
- Marine
- Mining
- Construction
- Industrial



with optional
air intake cover

Designed to be used with:



*Sold separately
Please contact your **MASTERVOLT** dealer

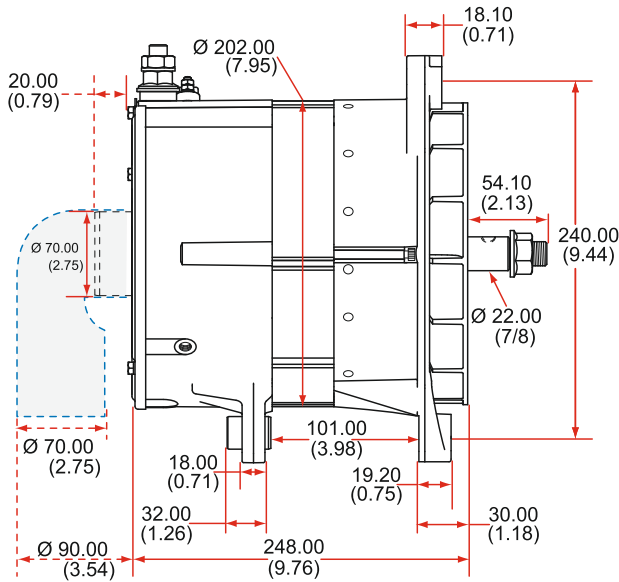
NOTE:

This DelStar 1250-10201 alternator, meets the marine requirements for Ignition Protection on gas or diesel engines of ISO 8846, USCG, stated in Title 33 CFR 183.410, SAE J1171 and International CE Standards.

DELSTAR

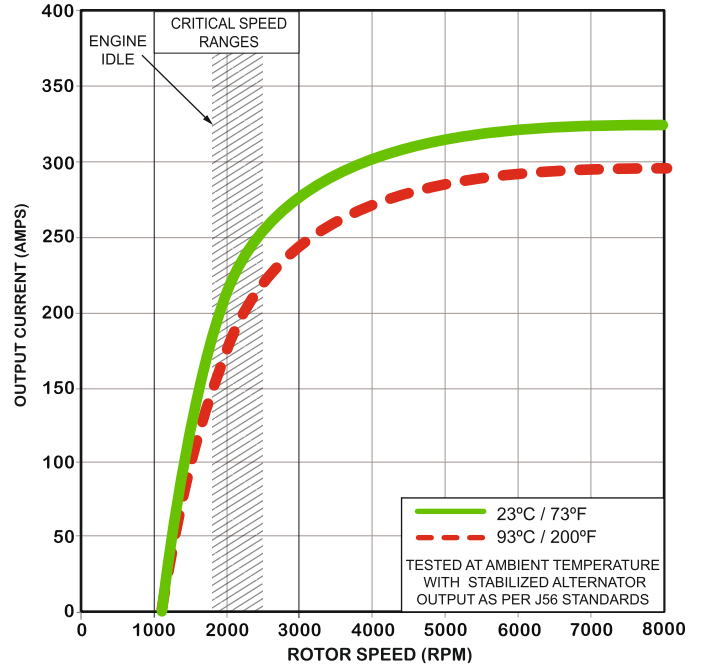
HD BRUSHLESS | SERIES 180

OUTLINE



Dimensions are listed in mm over (in)

PERFORMANCE CURVES



1250-10201

28 Volts 320 Amps

CONNECTIONS

