

# DELSTAR

## HD BRUSHLESS | SERIES 180

### 100-18213,-D

28 Volts 250 Amps

#### PRODUCT SPECIFICATIONS

Part number	100-18213
System Voltage	24V
Rated Output	250A
Output @ 2000 rpm	160A
Ground	Isolated
Mounting	Pad
Rotation	Bidirectional
Temperature limits:	
Low	- 40°C / -40°F
High	110°C / 230°F
High	125°C / 257°F (with fresh air intake)
Speed limits:	8000 RPM continuous 9000 RPM intermittent
Coating	Corrosion-Resistant E-Coating
Weight	46 Lbs / 21 Kg.
Regulator	Integral
Excitation	Self-Excited (@ < 1600 rpm)
Remote Sense Regulation	Yes
Soft Start Function (SSD)	Yes
Over Voltage Shut-Down (OSD)	Yes
Field Short Circuit Protection	Yes
Load Dump Protection	Yes

#### ACCESSORIES:

90° Elbow Pkg. (360° Rotatable) # 46900-1800

#### RECOMMENDED FOR:

- Utility Vehicles
- Marine
- Mining
- Industrial
- Construction



100-18213



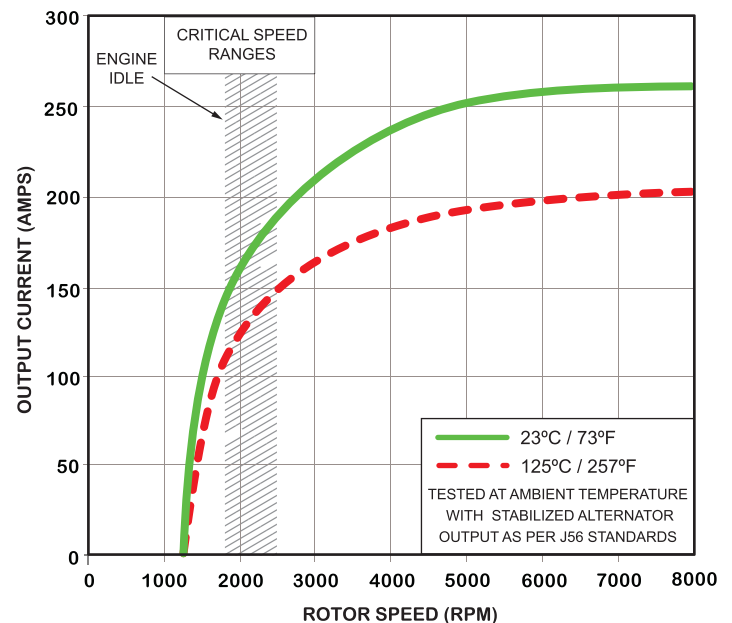
100-18213-D

with air intake cover & Optional 90° elbow

#### NOTE:

*This DelStar 100-18213 alternator, meets the marine requirements for Ignition Protection on gas or diesel engines of ISO 8846, USCG, stated in Title 33 CFR 183.410, SAE J1171 and International CE Standards.*

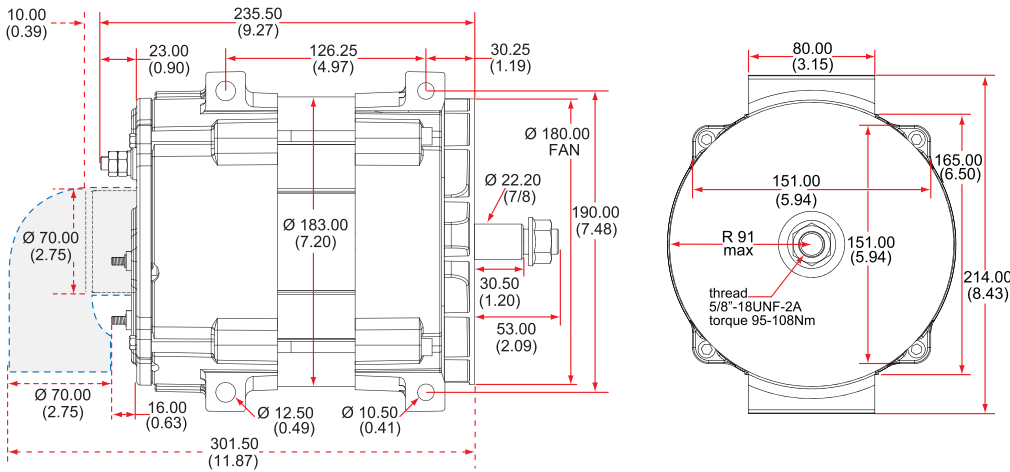
#### PERFORMANCE CURVES



# DELSTAR

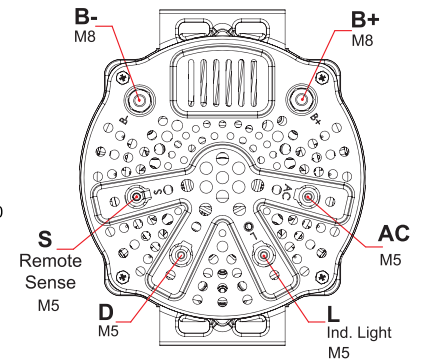
## HD BRUSHLESS | SERIES 180

### OUTLINE



Dimensions are listed in mm over (in)

### CONNECTIONS



## 100-18213

28 Volts 250 Amps

### ELECTRICAL SCHEMATIC

