

# DELSTAR

## HD BRUSHLESS | SERIES 180

# 100-18212

## 28 Volts 200 Amps

### PRODUCT SPECIFICATIONS

Part number	100-18212
System Voltage	24V
Rated Output	200A
Output @ 2000 rpm	130A
Ground	Isolated
Mounting	Pad
Rotation	Bidirectional
<b>Temperature limits:</b>	
Low	-40°C / -40°F
High	110°C / 230°F
High	125°C / 257°F (with fresh air intake)
<b>Speed limits:</b>	
	8000 RPM continuous
	9000 RPM intermittent
Coating	Corrosion-Resistant E-Coated
Weight	46 Lbs / 21 Kg.
Regulator	Integral
Excitation	Self-Excited (@ < 1600 rpm)
Indicator Light	M5 terminal (Optional)
Remote Sense	M5 terminal (Optional)
AC	M5 terminal

### ACCESSORIES:

90° Elbow Pkg. (360° Rotatable) # 46900-1800

### RECOMMENDED FOR:

- Utility Vehicles
- Marine
- Mining
- Industrial
- Construction



100-18212



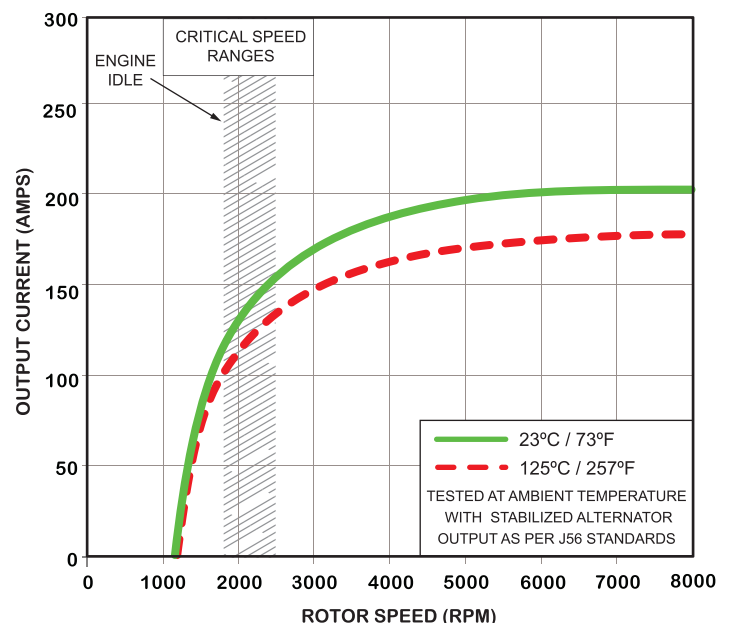
100-18212-D

with air intake cover & Optional 90° elbow

### NOTE:

*This DelStar 100-18212 alternator, meets the marine requirements for Ignition Protection on gas or diesel engines of ISO 8846, USCG, stated in Title 33 CFR 183.410, SAE J1171 and International CE Standards.*

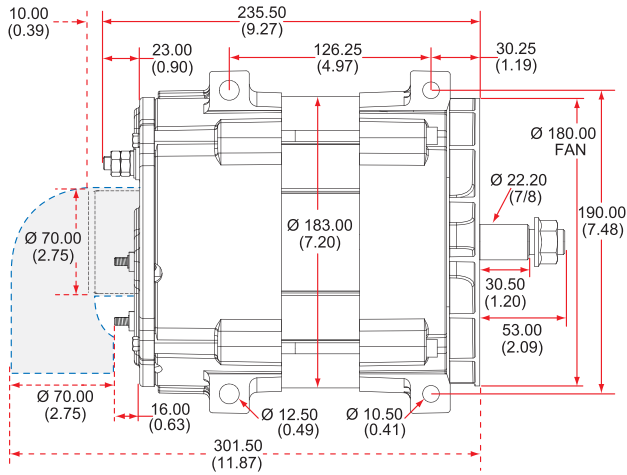
### PERFORMANCE CURVES



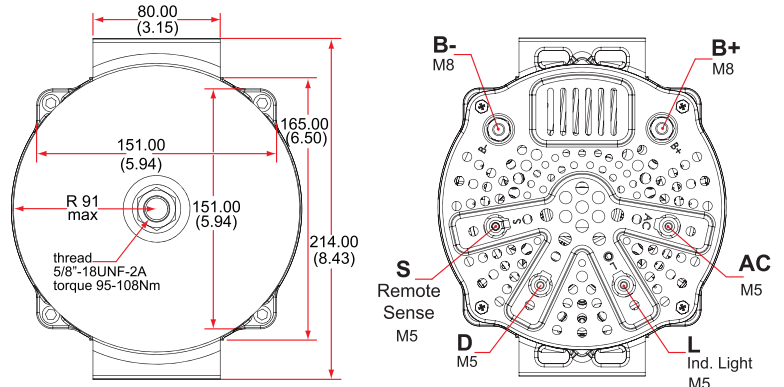
# DELSTAR

## HD BRUSHLESS | SERIES 180

### OUTLINE



### CONNECTIONS



Dimensions are listed in mm over (in)

## 100-18212

### 28 Volts 200 Amps

### ELECTRICAL SCHEMATIC

