

DELSTAR

HD BRUSHLESS | SERIES 180

100-18204

28 Volts 200 Amps

PRODUCT SPECIFICATIONS

Part number	100-18204
System Voltage	24V
Rated Output	200A
Output @ 2000 rpm	130A
Ground	Isolated
Mounting	J180 4" Hinge
Rotation	Bidirectional
Temperature limits:	
Low	-40°C / -40°F
High	110°C / 230°F
High	125°C / 257°F (with fresh air intake)
Speed limits:	
	8000 RPM continuous
	9000 RPM intermittent
Coating	Corrosion-Resistant E-Coated
Weight	46 Lbs / 21 Kg.
Regulator	Integral
Excitation	Self-Excited (@ < 1600 rpm)
Indicator Light	M5 terminal (Optional)
Remote Sense	M5 terminal (Optional)
AC	M5 terminal

ACCESSORIES:

90° Elbow Pkg. (360° Rotatable) # 46900-1800

RECOMMENDED FOR:

- Utility Vehicles
- Marine
- Mining
- Industrial
- Construction



100-18204



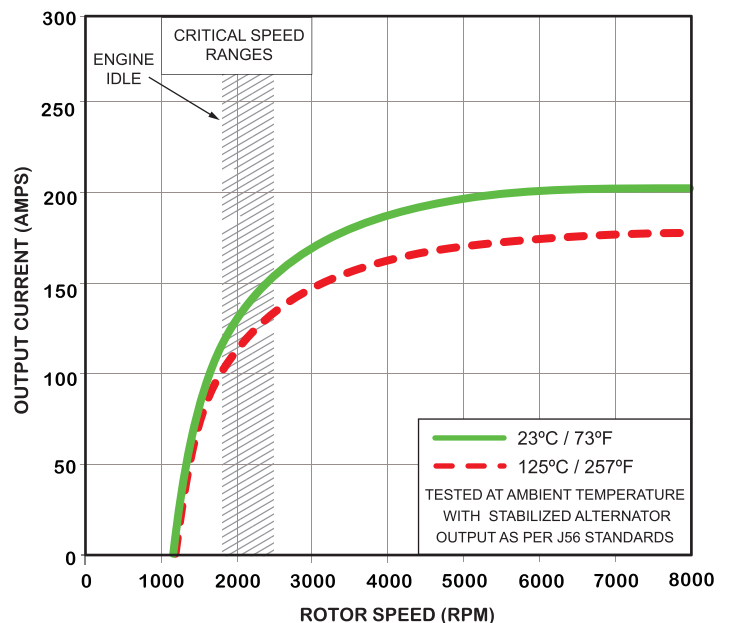
100-18204-D

with air intake cover & Optional 90° elbow

NOTE:

This DelStar 100-18204 alternator, meets the marine requirements for Ignition Protection on gas or diesel engines of ISO 8846, USCG, stated in Title 33 CFR 183.410, SAE J1171 and International CE Standards.

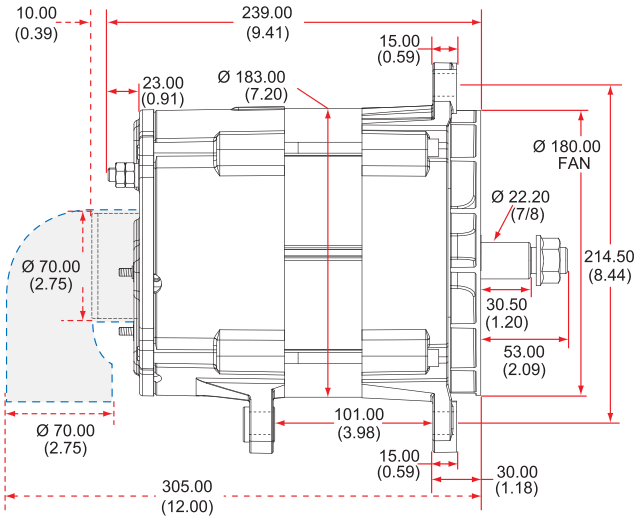
PERFORMANCE CURVES



DELSTAR

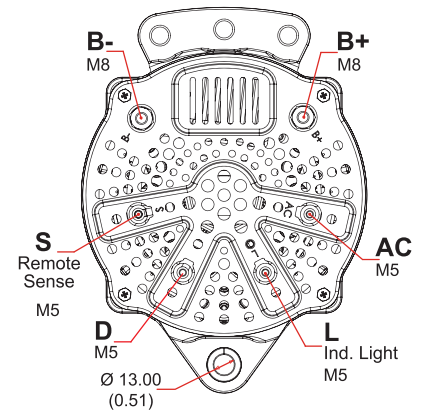
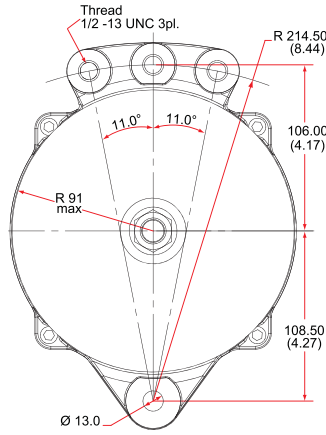
HD BRUSHLESS | SERIES 180

OUTLINE



Dimensions are listed in mm over (in)

CONNECTIONS



100-18204

28 Volts 200 Amps

ELECTRICAL SCHEMATIC

