

DELSTAR

HD BRUSHLESS | SERIES 180

100-18203,-D

28 Volts 250 Amps

PRODUCT SPECIFICATIONS

Part number	100-18203
System Voltage	24V
Rated Output	250A
Output @ 2000 rpm	160A
Ground	Isolated
Mounting	J180 4" Hinge
Rotation	Bidirectional
Temperature limits:	
Low	- 40°C / -40°F
High	110°C / 230°F
High	125°C / 257°F (with fresh air intake)
Speed limits:	
	8000 RPM continuous
	9000 RPM intermittent
Coating	Corrosion-Resistant E-Coated
Weight	46 Lbs / 21 Kg.
Regulator	Remote

ACCESSORIES:

- Remote Voltage Regulator # 3500-5025
- 90° Elbow Pkg. (360° Rotatable) # 46900-1800

RECOMMENDED FOR:

- Utility Vehicles
- Marine, Mining
- Industrial
- Construction



100-18203



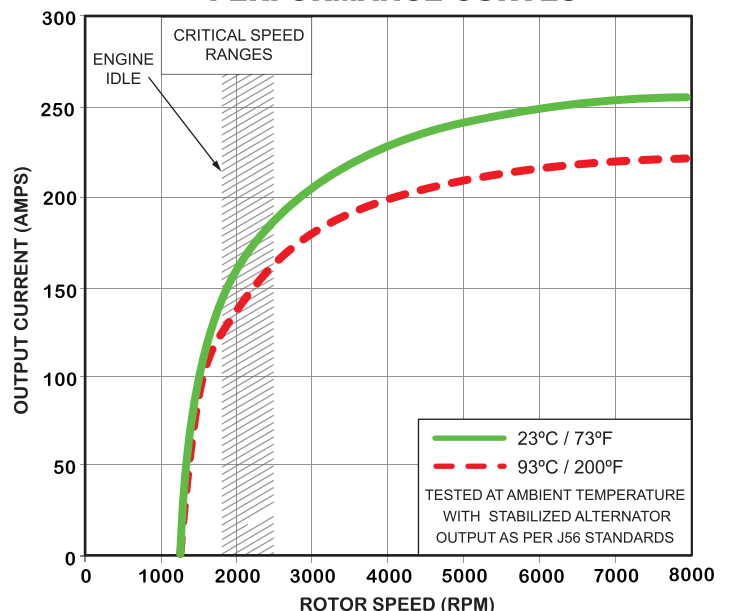
100-18203-D

with air intake cover & Optional 90° elbow

NOTE:

This DelStar 100-18203 alternator, meets the marine requirements for Ignition Protection on gas or diesel engines of ISO 8846, USCG, stated in Title 33 CFR 183.410, SAE J1171 and International CE Standards.

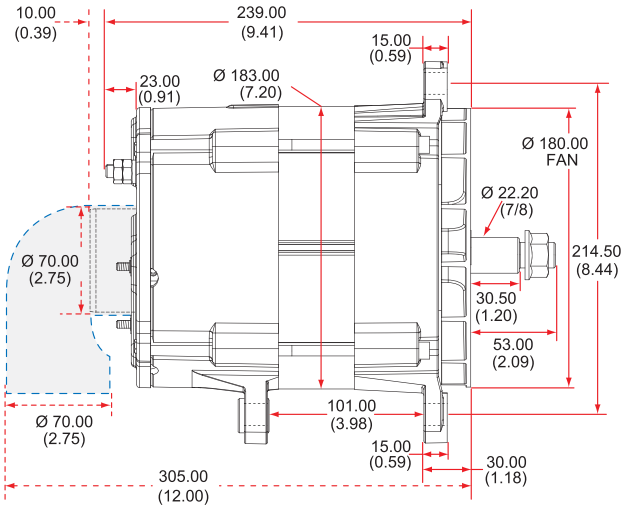
PERFORMANCE CURVES



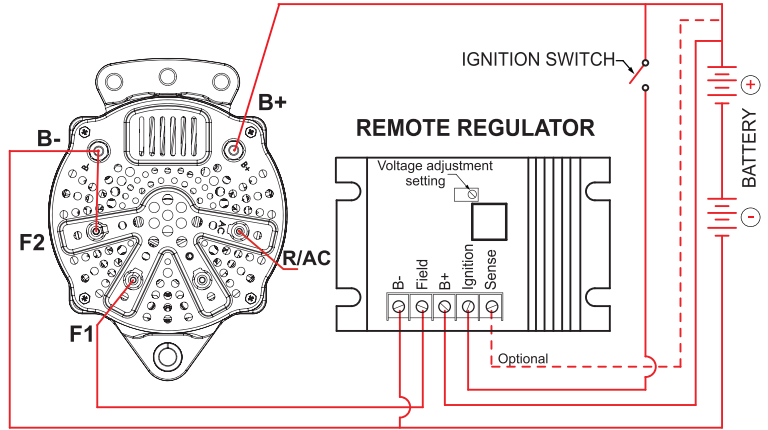
DELSTAR

HD BRUSHLESS | SERIES 180

OUTLINE



CONNECTIONS



Dimensions are listed in mm over (in)

100-18203
 28 Volts 250 Amps

ELECTRICAL SCHEMATIC

