

DELSTAR

HD BRUSHLESS | SERIES 170

100-17206,-D

24 Volts 200 Amps

PRODUCT SPECIFICATIONS

Part number	100-17206
System Voltage	24V
Rated Output	200A
Output @ 2000 rpm	114A
Ground	Isolated
Mounting	J180 4" Hinge
Rotation	Bidirectional
Temperature limits:	
Low	-40°C / -40°F
High	110°C / 230°F
High	125°C / 257°F (with fresh air intake)
Speed limits:	
8000 RPM	continuous
9000 RPM	intermittent
Coating	Corrosion-Resistant E-Coated
Weight	38 Lbs / 17.4 Kg.
Regulator	Remote



100-17206



100-17206-D
with air intake cover

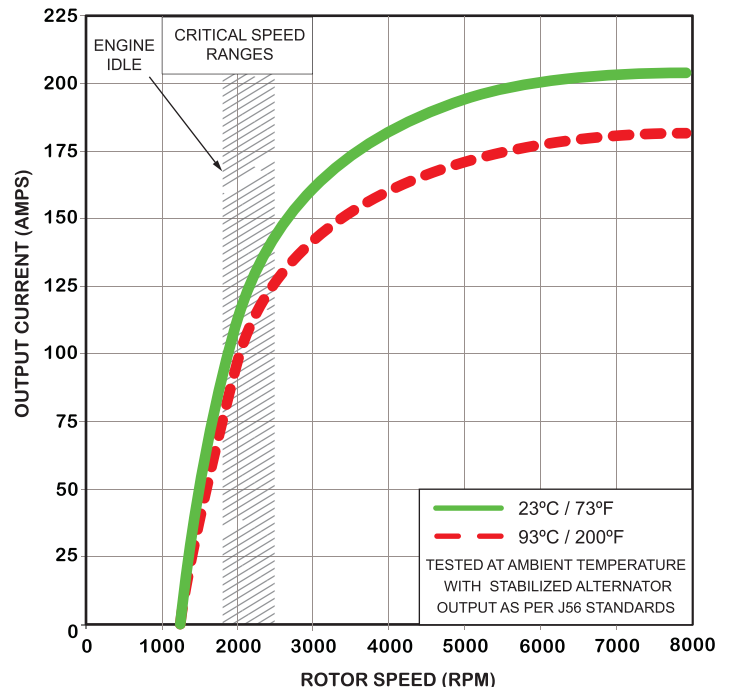
NOTE:

This DelStar 100-17206 alternator, meets the marine requirements for Ignition Protection on gas or diesel engines of ISO 8846, USCG, stated in Title 33 CFR 183.410, SAE J1171 and International CE Standards.

RECOMMENDED FOR:

- School & Shuttle Buses
- Utility Vehicles
- Marine & Mining
- Agricultural
- Construction & Industrial

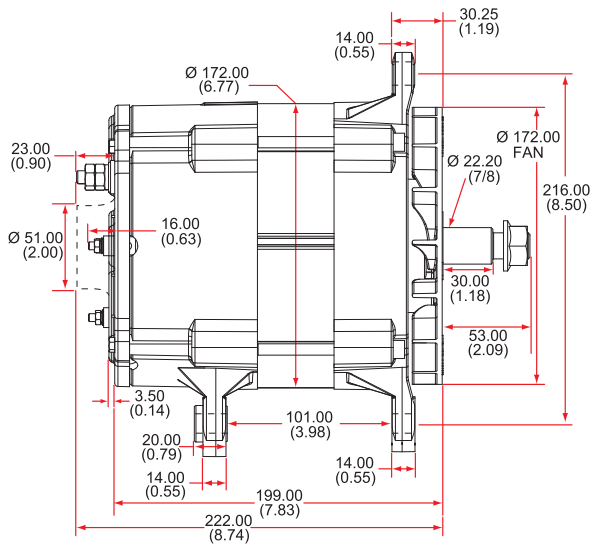
PERFORMANCE CURVES



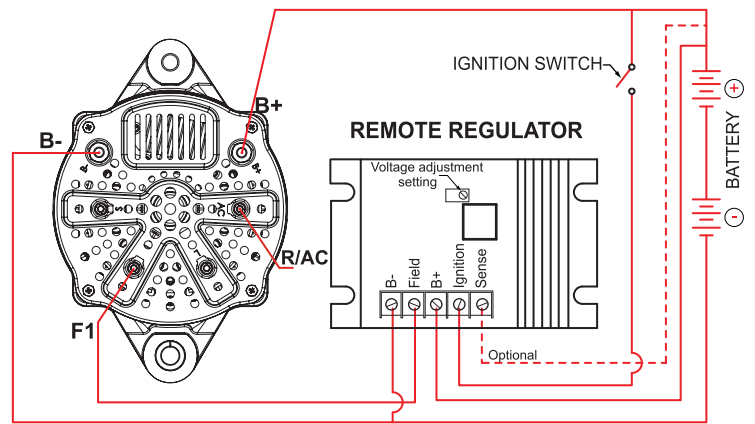
DELSTAR

HD BRUSHLESS | SERIES 170

OUTLINE



CONNECTIONS



100-17206,-D
28 Volts 200 Amps

ELECTRICAL SCHEMATIC

