

# DELSTAR

HD BRUSHLESS / SERIES 170

## 100-17214,-D

### 28 Volts 240 Amps

## PRODUCT SPECIFICATIONS

<b>Part number</b>	100-17214
<b>System Voltage</b>	24V
<b>Rated Output</b>	240A
<b>Output @ 2000 rpm</b>	90A
<b>Ground</b>	Isolated
<b>Mounting</b>	Pad
<b>Rotation</b>	Bidirectional
<b>Temperature limits:</b>	
<b>Low</b>	-40°C / -40°F
<b>High</b>	110°C / 230°F
<b>High</b>	125°C / 257°F (with fresh air intake)
<b>Speed limits:</b>	
	8000 RPM continuous
	9000 RPM intermittent
<b>Coating</b>	Corrosion-Resistant E-Coated
<b>Weight</b>	38 Lbs / 17.4 Kg.
<b>Regulator</b>	Integral
<b>Excitation</b>	Self-excited (@ 1500 rpm or less)
<b>Indicator Light</b>	Yes
<b>Remote Sense Regulation</b>	Yes
<b>Soft Start Function</b>	Yes
<b>Load Response Control (LRC)</b>	Yes
<b>Over Voltage Protection</b>	Yes
<b>Field Short Circuit Protection</b>	Yes
<b>Load Dump Protection</b>	Yes

## RECOMMENDED FOR:

- Utility Vehicles
- Marine, Mining
- Industrial
- Construction



**100-17214**



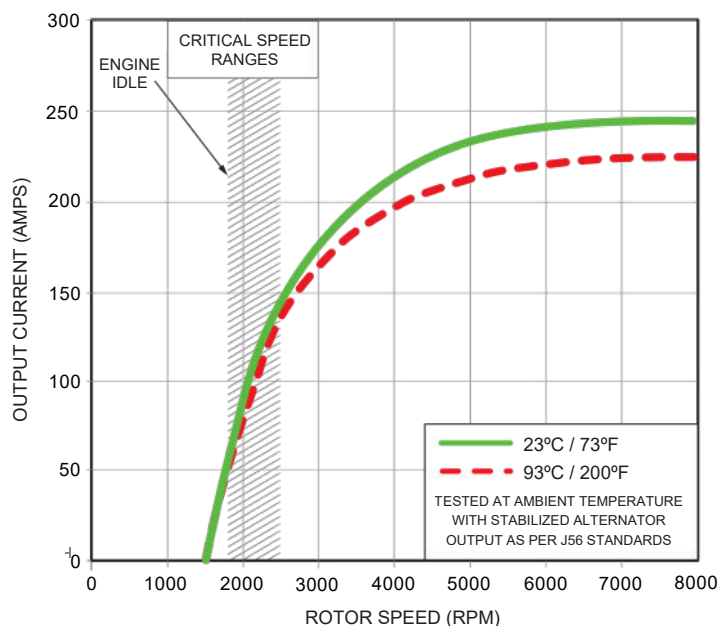
**100-17214-D**

with air intake cover

### NOTE:

*This DelStar 100-17214 alternator, meets the marine requirements for Ignition Protection on gas or diesel engines of ISO 8846, USCG, stated in Title 33 CFR 183.410, SAE J1171 and International CE Standards.*

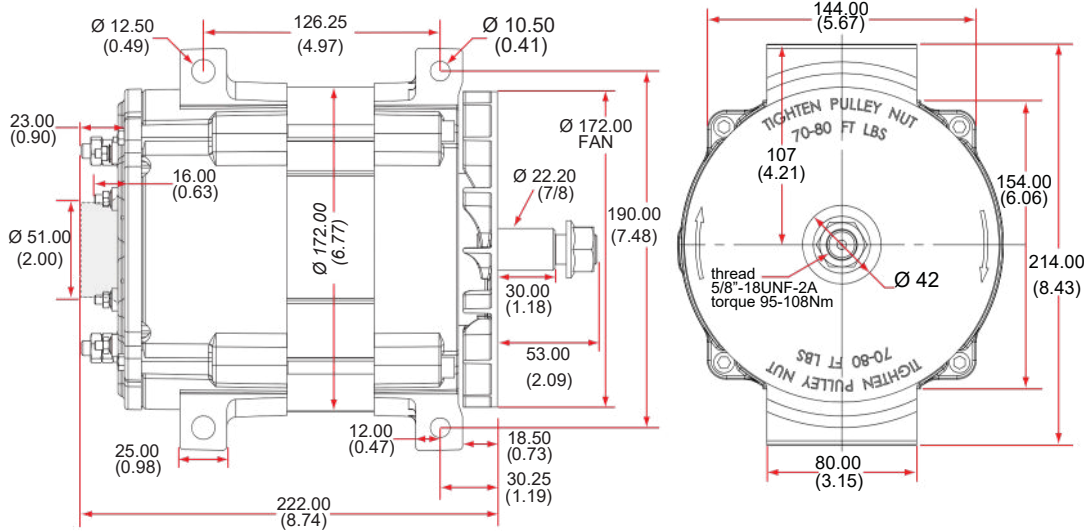
## PERFORMANCE CURVES



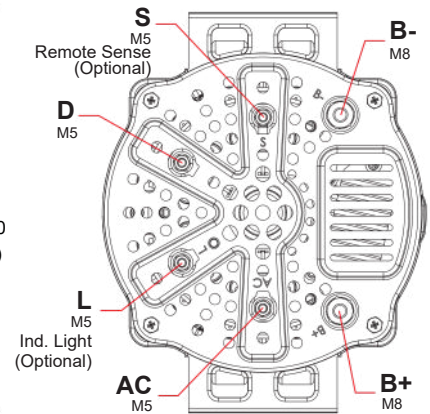
# DELSTAR

## HD BRUSHLESS | SERIES 170

### OUTLINE



### CONNECTIONS



Dimensions are listed in mm over (in)

**100-17214**

**28 Volts 240 Amps**

### ELECTRICAL SCHEMATIC

